

# i-Con – GUI Engineers Guide

The engineers commissioning guide to the system to preset the operating parameters enabling instant/time/temp/CO<sub>2</sub> setting changes for each zone. The GUI is password protected and using 4 navigation buttons the parameters can be changed for the required environmental conditions.

NOTE : All settings should be checked and reset to suit the respective environmental conditions required, the default values automatically set within the controller are for guidance and may require adjustment.

## Setting the Clock

The engineer's access code 1562 must be entered as follows:

Navigation Key	Screen Display	Response	Action
Press E	<b>Enter access code</b>	Enter the first digit	Press Up arrow once =1_ _ _
Press E	1_ _ _	Enter the second digit	Press Up arrow once =15_ _
Press E	15_ _	Enter the third digit	Press Up arrow once =156_
Press E	156_	Enter the fourth digit	Press Up arrow once =1562
	<b>ENGINEERS SETTINGS</b>	<b>Select Initial Setup</b>	
Press E	<b>Clock set</b>	<b>Set time &amp; date</b>	
Press E	Yellow square flashes on hours	24 hr clock	Use Up & Down keys to set hrs
Press E	Yellow square flashes on mins	0 - 59	Use Up & Down keys to set mins
Press E	Yellow square flashes on mins	0 - 59	Use Up & Down keys to set secs
Press E	Yellow square flashes on day	1 - 31	Use Up & Down keys to set day
Press E	Yellow square flashes on month	e.g. April	Use Up & Down keys to set month
Press E	Yellow square flashes on first 2 digits of the year	e.g. 20??	Use Up & Down keys to set year
Press E	Yellow square flashes on second 2 digits of the year	e.g. 2016	Use Up & Down keys to set year
Press B	<b>Return to Clock set</b>		<b>Initial Setup Settings</b>
	<b>Select Factory reset</b>		<b>Reset All Settings - Press E</b>
	<b>Select required action</b>	No or Yes (reset to defaults) – <b>Press E</b>	<b>Press B to return to Initial Setup</b>



3 Mill Pool, Nash Lane, Belbroughton, Worcestershire DY9 9AF

T: 01562 730874 E: info@clarksoncontrols.co.uk W: www.clarksoncontrols.co.uk

## Global Setting

Navigation Key	Screen Display	Default	Setting	Range
Using Up & Down Keys	<b>Select Global Settings</b>			
Use Up & Down keys	<b>Select Set Temperature</b>	18°C		14°C - 28°C
Press E	Displays Set Temperature			
Press B	To return to Global Settings			
Use Up & Down keys	<b>Select Vent Override</b>	off/Auto		Clement/Inclement (rain AND wind connected in parrallel)
Press E	Displays Force Vent Open			Overrides all vents Open
Press E	Displays Force Vent Close			Overrides all vents Close
Press B	To return to Global Settings			
Use Up & Down keys	<b>Select Heating Offset</b>	-2°C		-1°C -5°C
Press E	Displays Heating Offset -1°C			Press B to return to Global Settings
Use Up & Down keys	<b>Select Reheat Offset</b>	-3°C		-1°C -5°C
Press E	Displays Reheat Offset -1°C			Press B to return to Global Settings
Use Up & Down keys	<b>Select Reheat PID KP</b>	0.5		Nil - 1.0
Press E	Displays Reheat PID KP			Press B to return to Global Settings
Use Up & Down keys	<b>Select Reheat PID KI</b>	0x.1		Nil - 1.0
Press E	Displays Reheat PID KI			Press B to return to Global Settings
Use Up & Down keys	<b>Select Reheat PID KD</b>	Nil		Nil - 1.0
Press E	Displays Reheat PID KD			Press B to return to Global Settings
Use Up & Down keys	<b>Select Reheat PID rate</b>	1min		1 second (test) - 10 minutes
Press E	Displays Reheat PID KD			Press B to return to Global Settings
Use Up & Down keys	<b>Select Fan Relay ON</b>	80%		30% - 100%
Press E	Displays Fan Relay ON			Press B to return to Global Settings
Use Up & Down keys	<b>Select Fan Relay OFF</b>	30%		5% - 60%
Press E	Displays Fan Relay OFF			Press B to return to Global Settings



3 Mill Pool, Nash Lane, Belbroughton, Worcestershire DY9 9AF

T: 01562 730874

E: [info@clarksoncontrols.co.uk](mailto:info@clarksoncontrols.co.uk)

W: [www.clarksoncontrols.co.uk](http://www.clarksoncontrols.co.uk)

## Time Schedule Note: It may be necessary to enter the user code as described above:

Navigation Key	Screen Display	Response	Action
Using Up & Down Keys	<b>Select Time Schedule</b>	Press E	Select Day e.g. Sunday
Press E	Yellow square flashes first ON hour	24 hr clock	Use Up & Down keys =08:_ _
Press E	Yellow square flashes first ON mins	0 - 59	Use Up & Down keys =08:30
Press E	Yellow square flashes first OFF hour	24 hr clock	Use Up & Down keys =15:_ _
Press E	Yellow square flashes first OFF mins	0 - 59	Use Up & Down keys =15:30
<b>Note</b>	<b>For 1 ON &amp; 1 OFF per day set only the first ON &amp; Off</b>		<b>The second ON &amp; Off should be set to 00:00</b>
<b>Note</b>	<b>Should a second ON &amp; OFF be required then set as follows</b>		<b>The second on &amp; Off must be after the first ON &amp; OFF</b>
Press E	Yellow square flashes second ON hour	24 hr clock	Use Up & Down keys =17:_ _
Press E	Yellow square flashes second ON mins	0 - 59	Use Up & Down keys =17:30
Press E	Yellow square flashes second OFF hour	24 hr clock	Use Up & Down keys =20:_ _
Press E	Yellow square flashes second OFF mins	0 - 59	Use Up & Down keys =20:00
Press B	To return to days of the week	Sun to Sat	
<b>Note</b>	<b>Repeat the above for the remaining days of the week</b>	<b>Mon to Sat</b>	Use Up & Down keys to set remaining days
Press B	<b>Return to Settings</b>		



3 Mill Pool, Nash Lane, Belbroughton, Worcestershire DY9 9AF

T: 01562 730874    E: [info@clarksoncontrols.co.uk](mailto:info@clarksoncontrols.co.uk)    W: [www.clarksoncontrols.co.uk](http://www.clarksoncontrols.co.uk)

## Zones

Note: It may be necessary to enter the user code as described above:

Navigation Key	Screen Display	Default	Setting	Range
Using Up & Down Keys	<b>Select Zones</b>			Press E - Select A, B, C or D
Press E	Zone A Settings			
Use Up & Down keys	Select Set Temperature	21°C		19°C - 27°C
Press E	Set Required Temperature	21°C	21°C	Press E
Use Up & Down keys	Select CO <sub>2</sub> Level	900ppm		500ppm – 1500ppm
Press E	Set CO <sub>2</sub> Level required	900ppm	900ppm	Press E
Use Up & Down keys	Select Proportional K	0.5		Nil -1.0
Press E	Display Proportional K			Press B
Use Up & Down keys	Select Integral K	0.1		Nil – 1.0
Press E	Display Integral K			Press B
Use Up & Down keys	Select Derivative K	Nil		Nil – 1.0
Press E	Display Derivative K			Press B
Use Up & Down keys	Select Update rate	1min		1 Second (test) – 10 mins
Press E	Display Update			Press B
Use Up & Down keys	Select Night Cooling	Off		Off or ON
Press E	Display Night Cooling			Press B
Press B	<b>To Return to Zones</b>			
Use Up & Down keys	<b>Select Common to All</b>			
Press E	Select LED Brightness	1		Set 1 – 5 Press E
Use Up & Down keys	Select Sounder Volume	Low		Set Off/Low/High – Press E
Press B	<b>To Return to Zones</b>			<b>Press B – for Engineers Settings</b>

Note: Repeat the above for those zones connected A to D.



3 Mill Pool, Nash Lane, Belbroughton, Worcestershire DY9 9AF

T: 01562 730874 E: info@clarksoncontrols.co.uk W: www.clarksoncontrols.co.uk

## Change Access Code

Note: This allows you to set your personal site access code to ensure security.

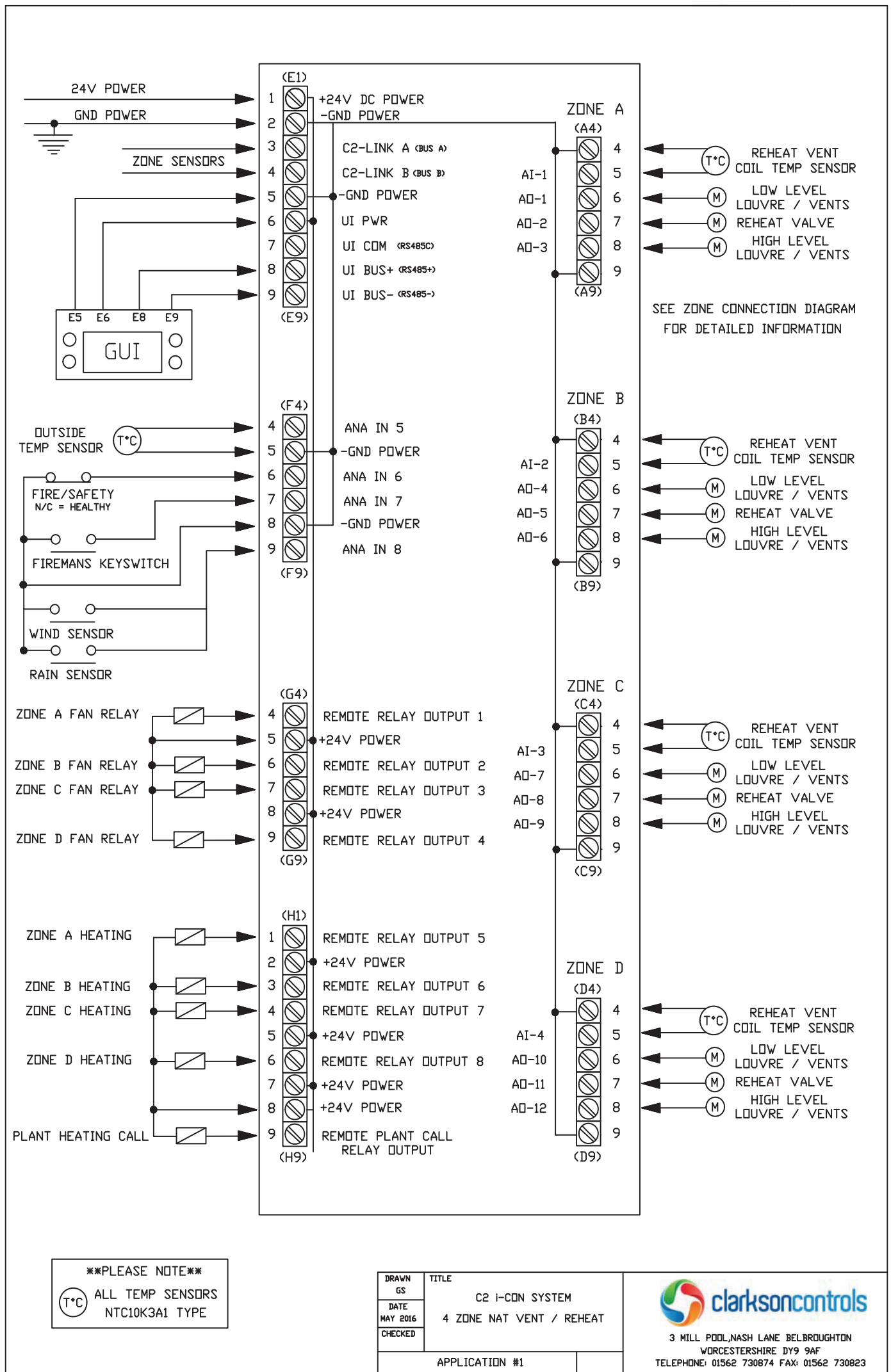
Navigation Key	Screen Display	Default	Action
Using Up & Down Keys	<b>Select Change access codes</b>		
Press E	Select Change user access code	1234	
Press E	Displays Enter new code		Set new 4 digit number
Press E	Displays Change access codes		
Press E	Select Change Engineers access code	1562	
Press E	Displays Enter new code		Set new 4 digit number
Press E	Displays Change access codes		
Press B	To return to <b>Engineer Settings</b>		
Press B	To return to <b>Info</b>		

Note: All parameters above must be set during commission to suit the environmental conditions required which may require the default values to be adjusted.



3 Mill Pool, Nash Lane, Belbroughton, Worcestershire DY9 9AF

T: 01562 730874 E: [info@clarksoncontrols.co.uk](mailto:info@clarksoncontrols.co.uk) W: [www.clarksoncontrols.co.uk](http://www.clarksoncontrols.co.uk)



**\*\*PLEASE NOTE\*\***  
 ALL TEMP SENSORS  
 NTC10K3A1 TYPE

DRAWN	GS	TITLE
DATE	MAY 2016	C2 I-CON SYSTEM
CHECKED		4 ZONE NAT VENT / REHEAT
APPLICATION #1		

**clarksoncontrols**  
 3 MILL POOL, NASH LANE, BELBROUGHTON  
 WORCESTERSHIRE DY9 9AF  
 TELEPHONE: 01562 730874 FAX: 01562 730823